

HOT ROD 500S

Spare Parts.....	1
Figure A: Machine Assembly	1
Figure B: Machine Assembly	2
Miscellaneous Items (not shown in figure A, B)	3
Electrical Schematic	4
WEEE	5



Lincoln Electric Bester Sp. z o.o.
ul. Jana III Sobieskiego 19A, 58-263 Bielawa, Poland
www.lincolnelectric.eu

Spare Parts

SP50259 REV02
08/11

ASSEMBLY PAGE NAME			Machine Assembly	Machine Assembly	Miscellaneous items			
CODE NO.:	K NO.:	FIGURE NO.:	A	B	-			
50259	K14089-2	HOT ROD 500S 220/380/440V	1	1	1			

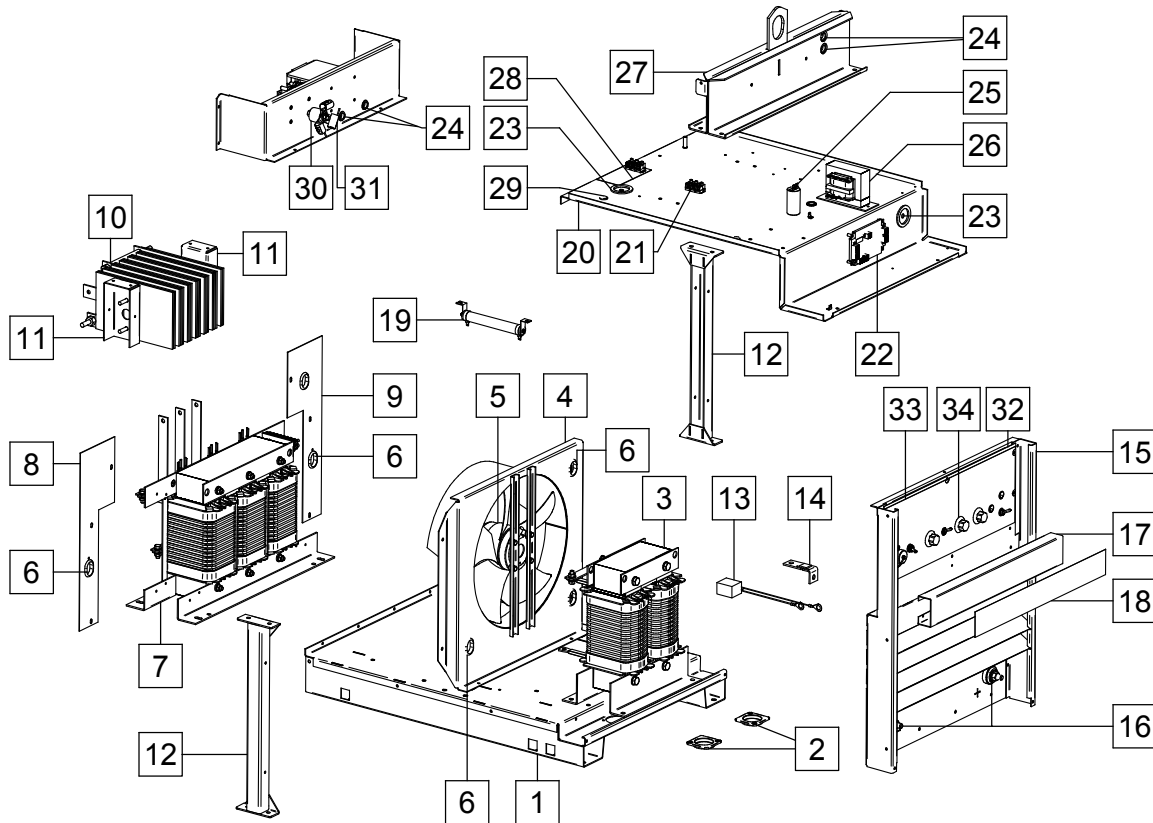


Figure A.

Figure A: Machine Assembly

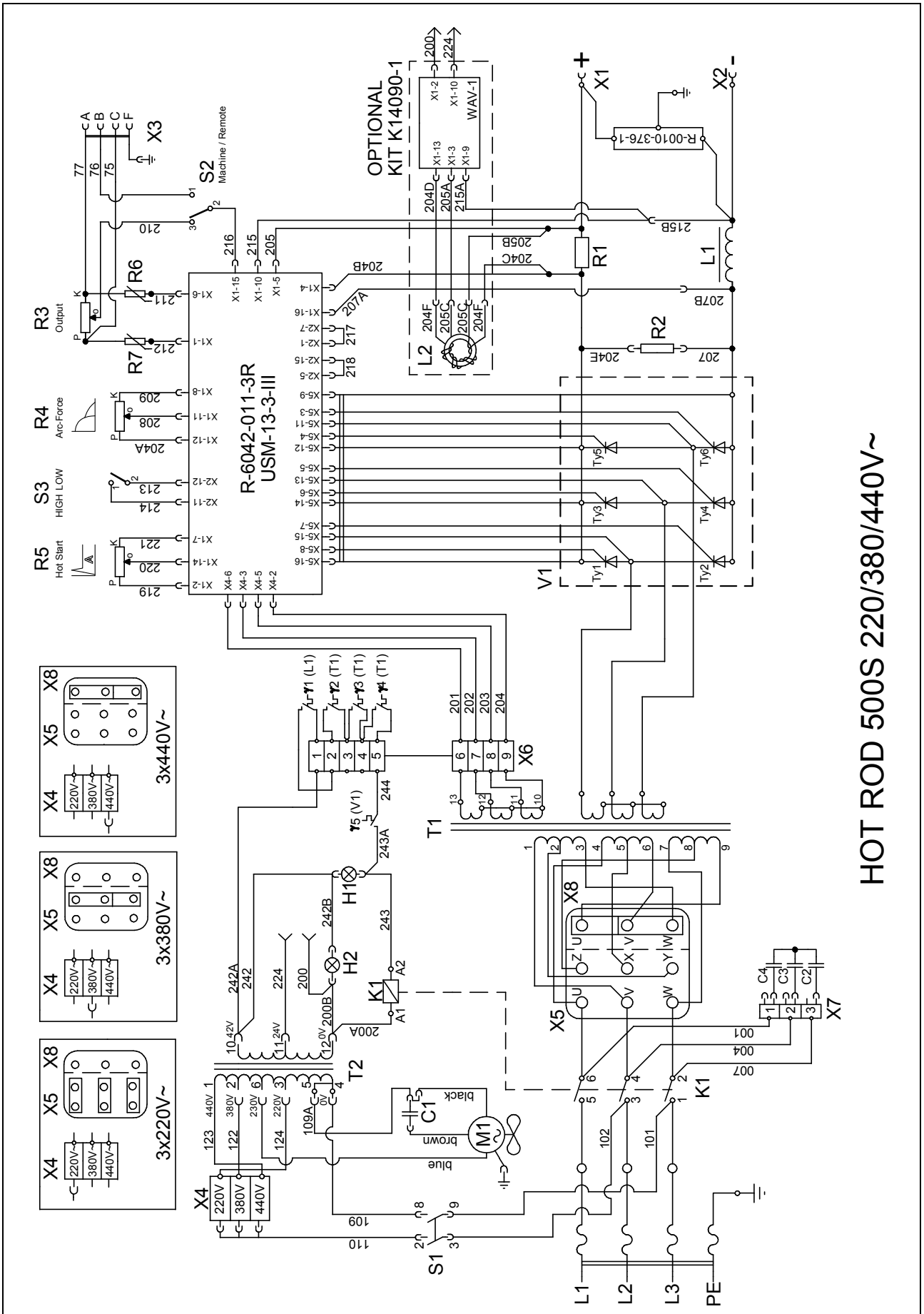
Item	Description	Part Number	QTY	1	2	3	4	5	6	7
1	BASE PANEL	R-3019-233-1/08R	1	•						
2	CABLE BUSH	R-2013-092-1R	2	•						
3	CHOKE L1	R-4034-112-1R	1	•						
	TEMPERATURE SENSOR 160°C	1115-769-112R	1	•						
4	PARTITION	R-3019-235-2/08R	1	•						
5	FAN	R-8040-150-2R	1	•						
6	RUBBER CABLE BUSH	1373-111-331R	6	•						
7	TRANSFORMER T1	R-4034-150-1R	1	•						
8	AIR DEFLECTOR	R-1019-266-2/08R	1	•						
9	AIR DEFLECTOR	R-1019-266-1/08R	1	•						
10	RECTRIFIER SET V	R-0010-099-3R	1	•						
	TEMPERATURE SENSOR 80°C	1115-769-016R	1	•						
11	BRACKET	R-1019-265-1/08R	2	•						
12	BRACKET	R-3019-246-1/08R	2	•						
13	FILTER	R-0010-376-1R	1	•						
14	SHUNT	0941-712-031R	1	•						
15	FRONT PANEL	R-3019-234-1R	1	•						

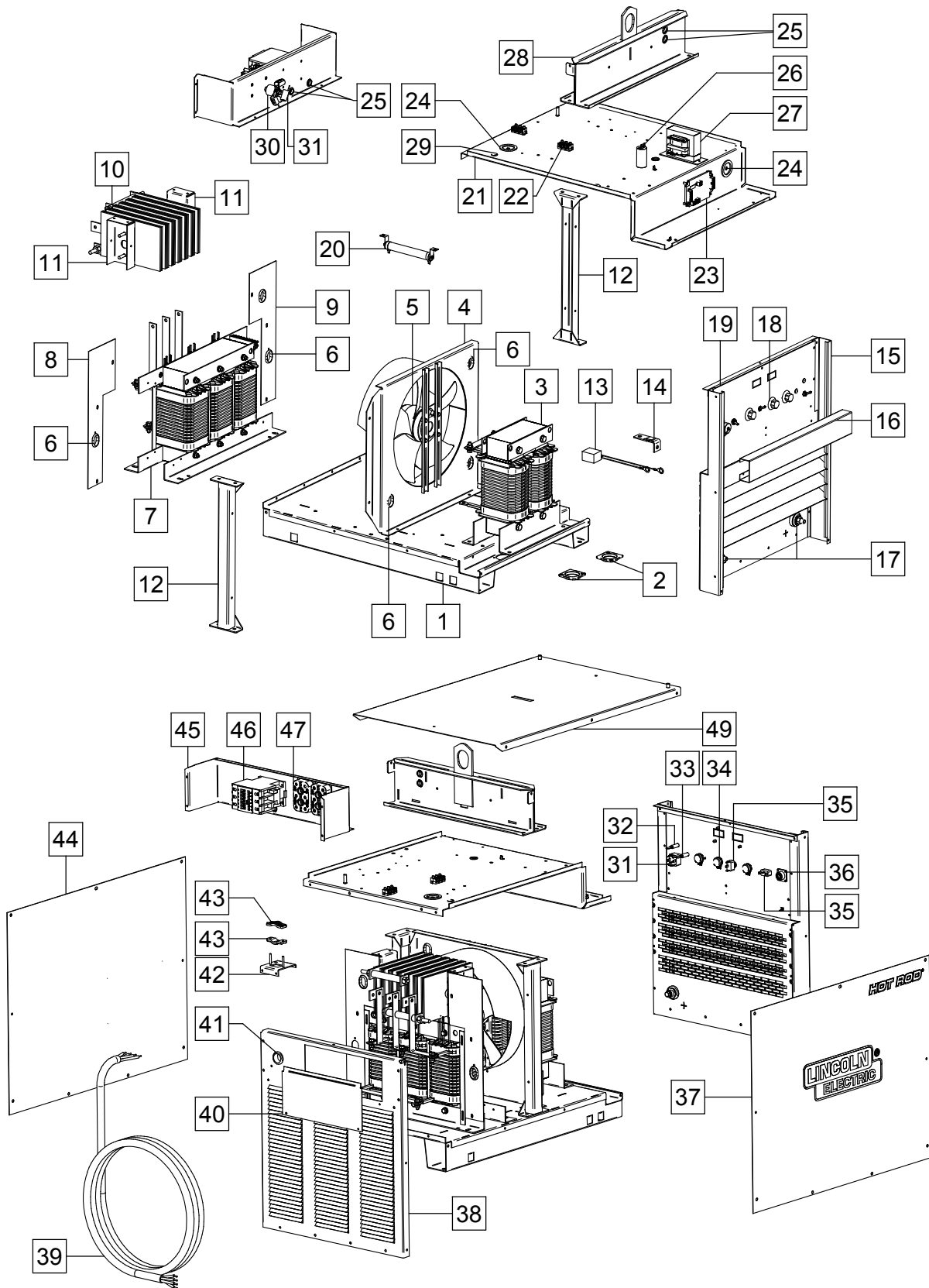
45	STICKER	R-0010-383-1R	1	•						
46	CABLE STRAIN RELIEF	1361-599-250R	1	•						
47	BRACKET	R-3019-085-1/08R	1	•						
48	CLAMP	1361-599-620R	2	•						
49	RIGHT SIDE PANEL	R-1019-268-1R	1	•						
50	STICKER	R-0010-457-1R	1	•						
51	SHIELD	R-1019-263-2/02R	1	•						
52	CONTACTOR K1	1158-212-116R	1	•						
53	TERMINAL BLOCK X5, X8	1361-599-255R	2	•						
54	PLATE	D-2731-731-1R	2	•						
55	COVER	R-3019-240-1/02R	1	•						
56	STICKER	2719-107-698R	1	•						

Miscellaneous Items (not shown in figure A, B)

Item	Description	Part Number	QTY	1	2	3	4	5	6	7
57	WIRING HARNESS (PRIMARY)	R-5041-218-1R	1	•						
58	WIRING HARNESS (SECONDARY)	R-5041-219-1R	1	•						
59	GROUP OF CONDUCTORS	R-5041-257-1R	1	•						

Electrical Schematic





	Ref.	Recycle				ST				
		Fe	Al	Cu	Brass	Boards	Plastics	Liquid Cristal	External Electric Cables	Capacitors
FRONT PANEL	15, 19	X		X						
BASE	1	X								
COVER	16, 49		X							
CABLE BUSH	2, 6, 24, 25, 41						X			
SIDE PANEL	37, 44		X							
CHOKE	3	X	X				X			
TRANSFORMET	7, 27	X	X				X			
FAN	5			X			X			
PARTITION	4	X								
P.C. BOARDS	23					X				
BRACKET	8, 9, 11, 12, 28, 42	X								
SHIELD	40, 45	X								
SHUNT	14			X						
SOCKET	17, 36	X		X			X			
SWITCHES	31, 34, 35	X			X					
REAR PANEL	38	X								
KNOBS	18						X			
STAND-OFF INSULATOR	30	X					X			
CAPACITOR	26, 31									X
TERMINAL BLOCK	22, 47				X		X			
POWER LEAD	39			X	X		X		X	
CORNER CAP	24						X			
CLAMP	43						X			
PLUG	29						X			
LAMP	32, 33			X			X			
CONTACTOR	46	X		X			X			
SHELF	21	X								
RESISTOR	20	X								
RECTIFIER	10		X							
FILTER	13	X		X			X			